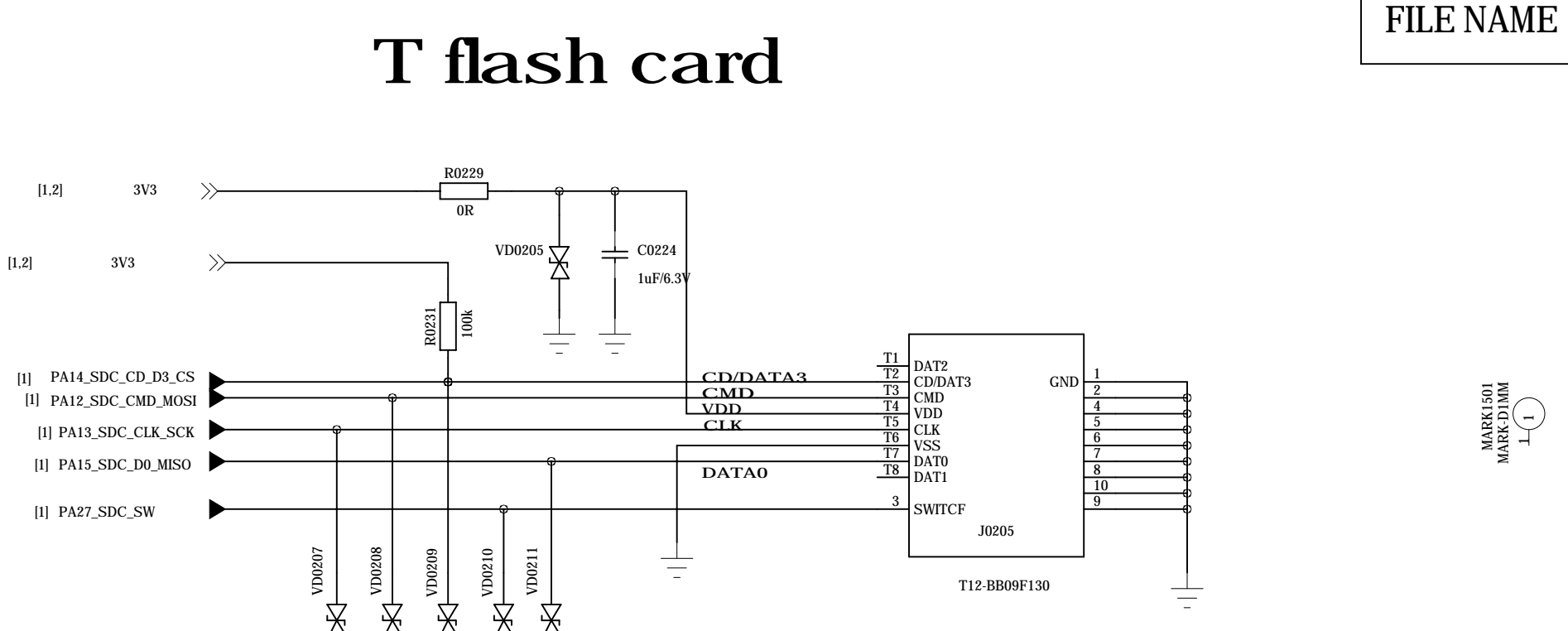
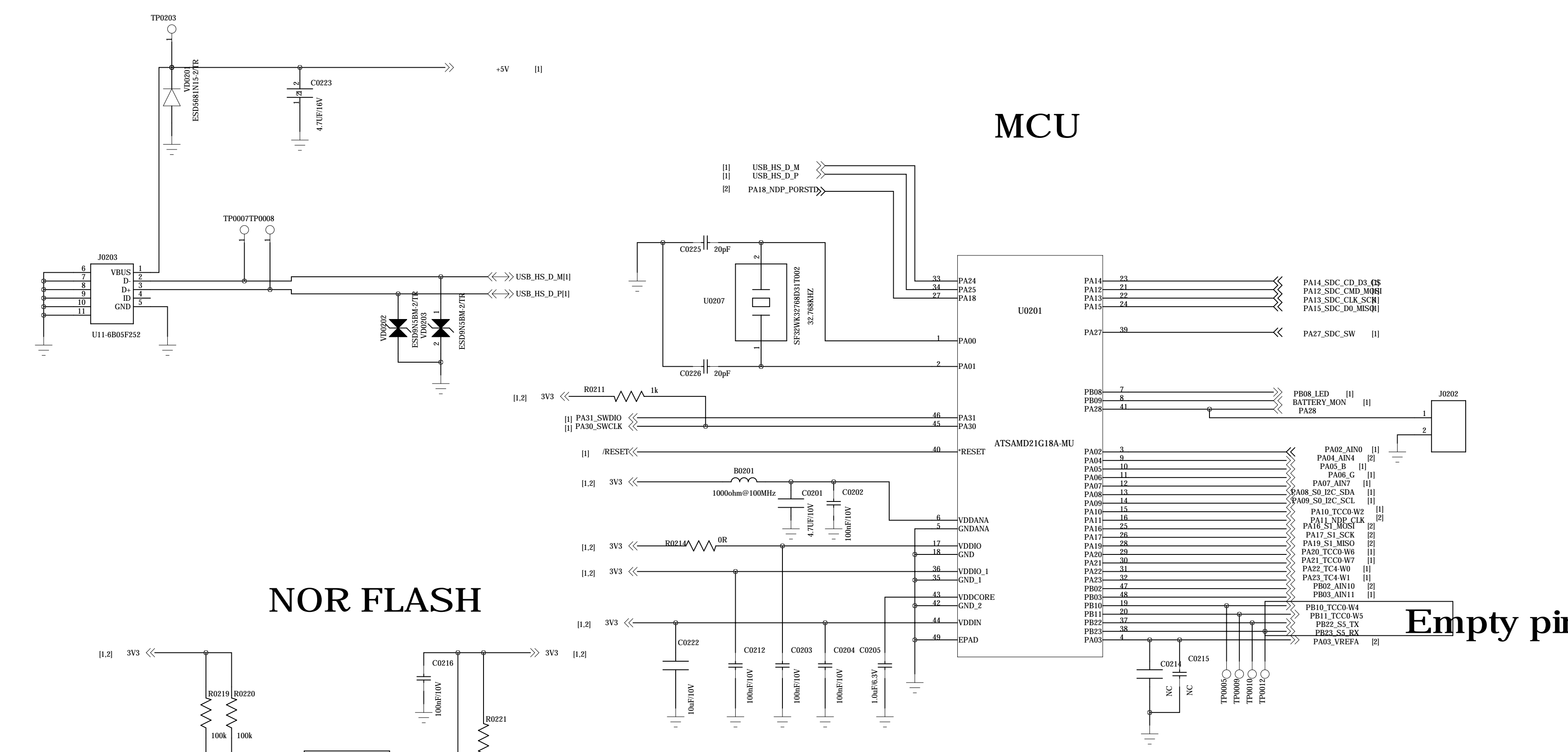
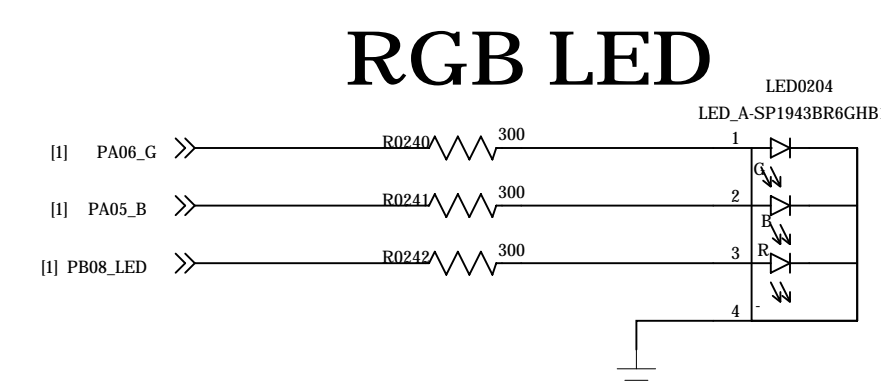
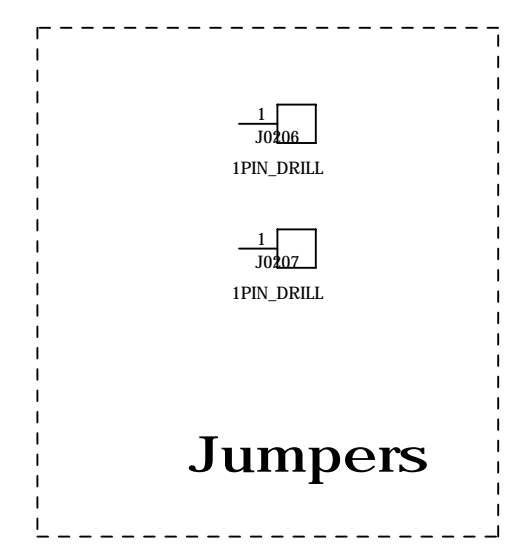


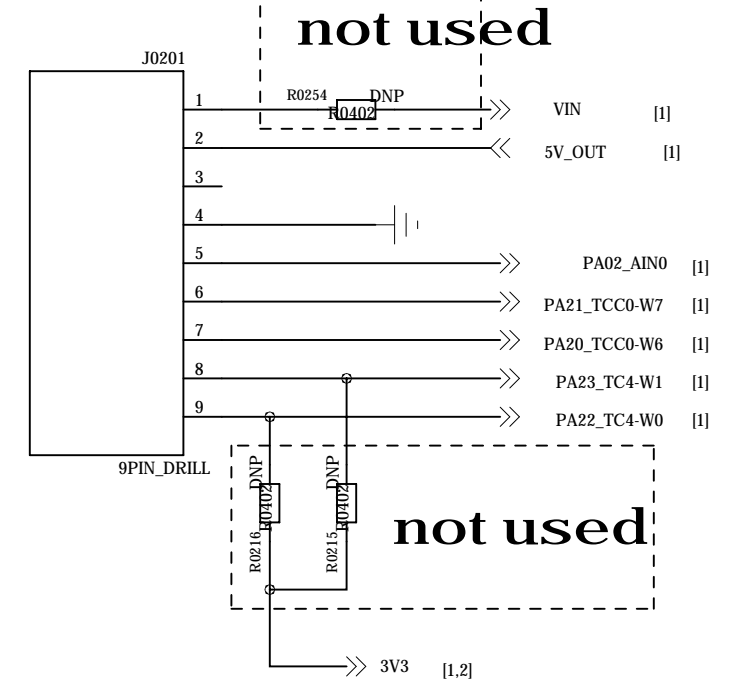
FILE CODE	
FILE NAME	



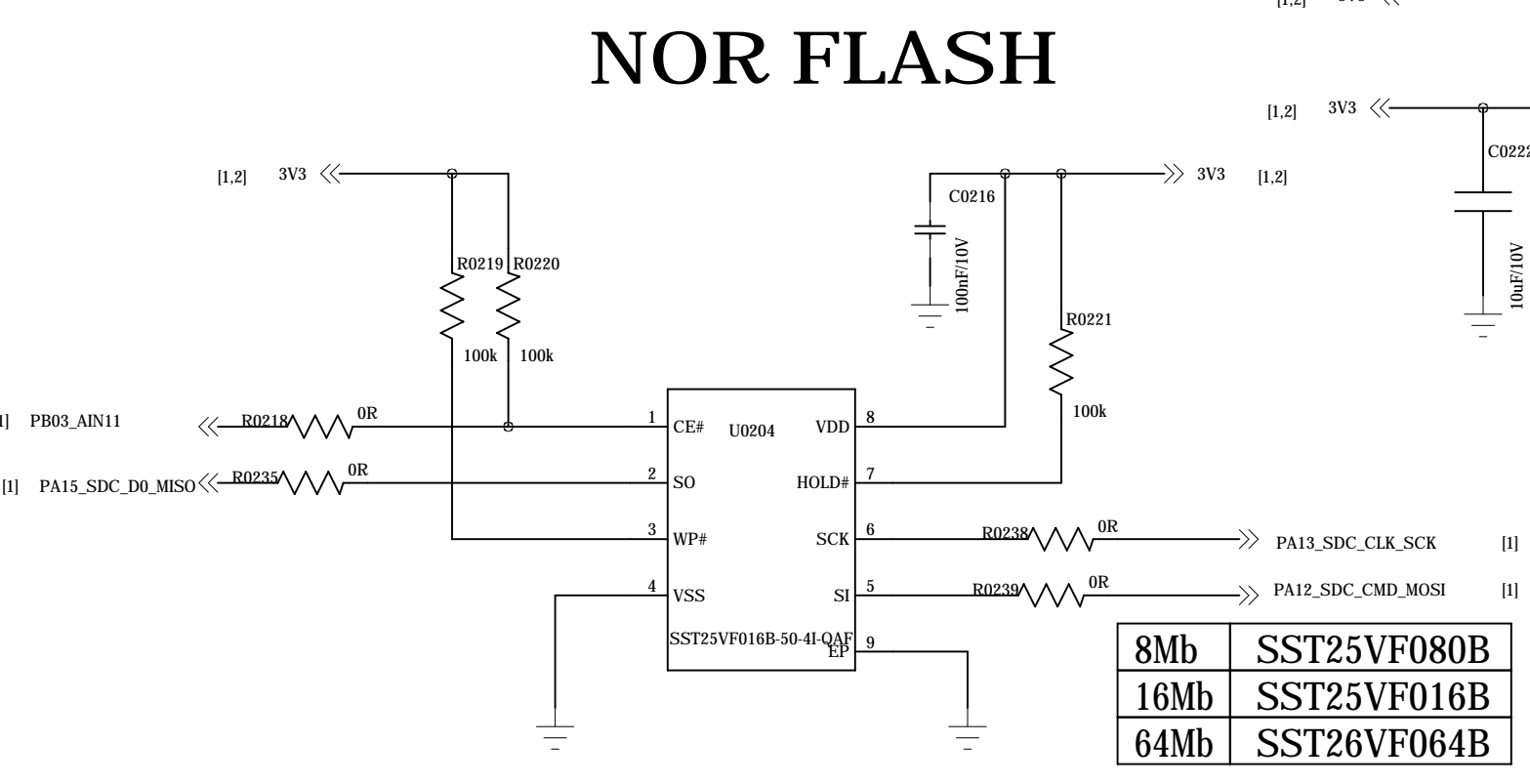
### Mark Point



### Pinout



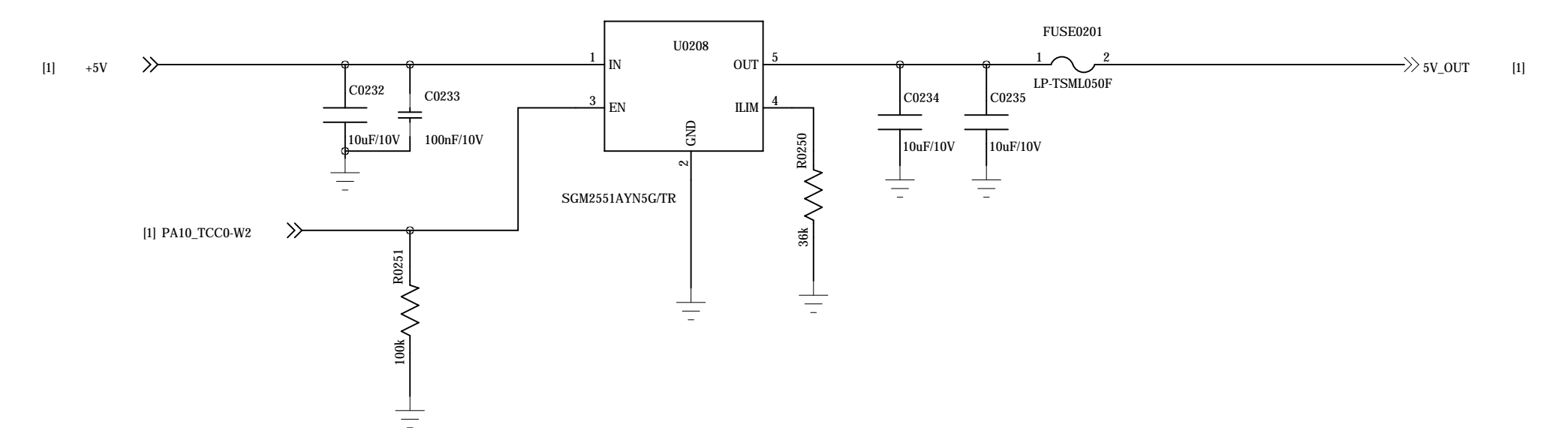
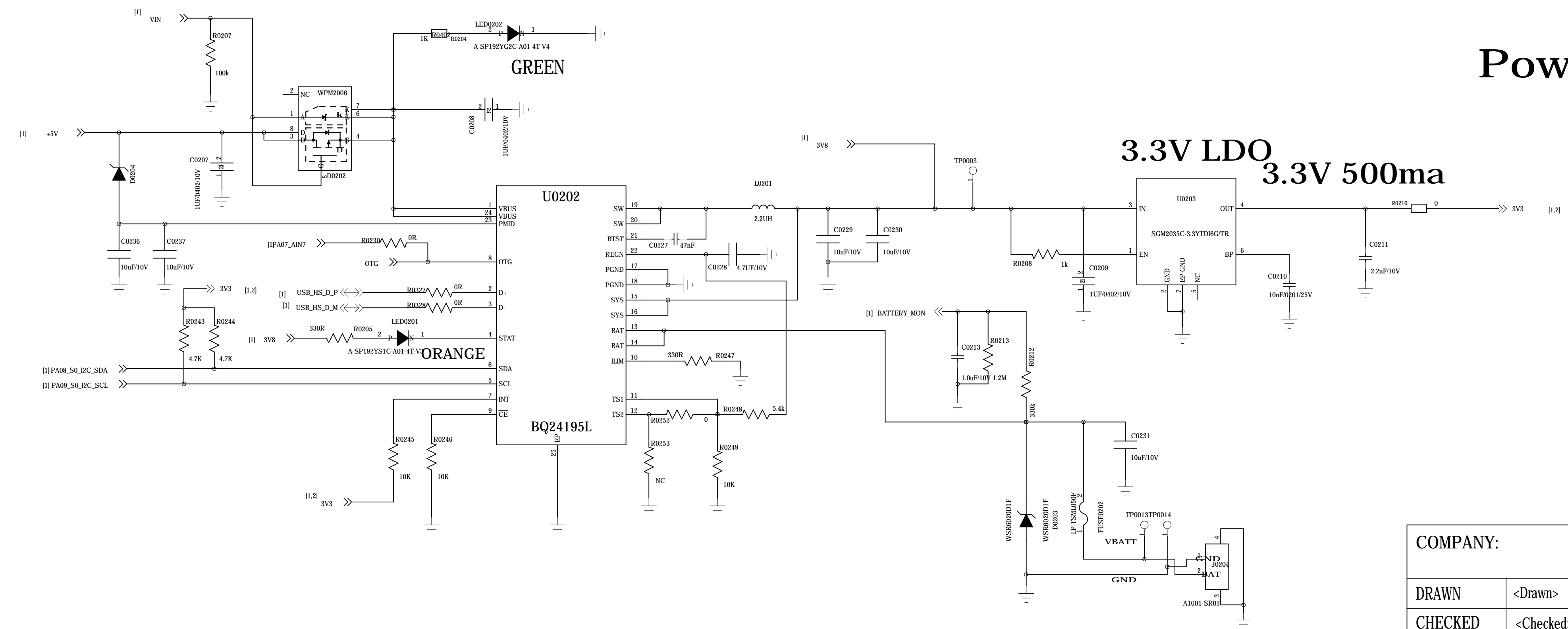
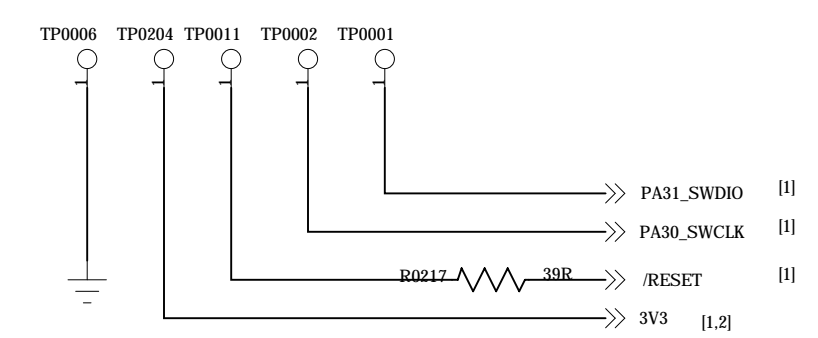
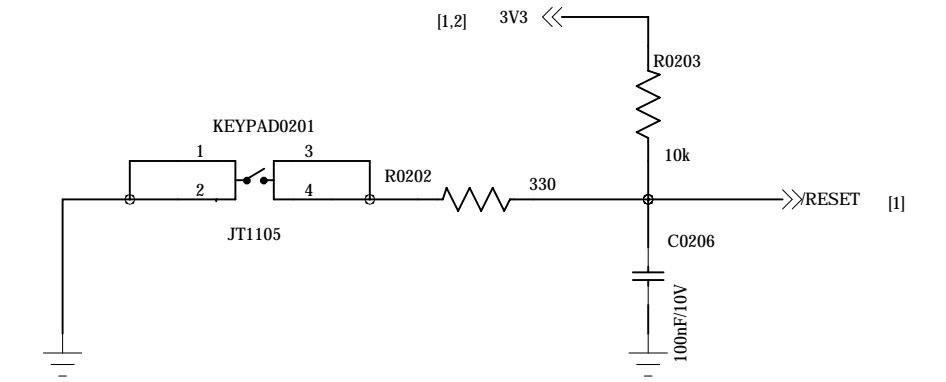
### Jumpers



8Mb	SST25VF080B
16Mb	SST25VF016B
64Mb	SST26VF064B

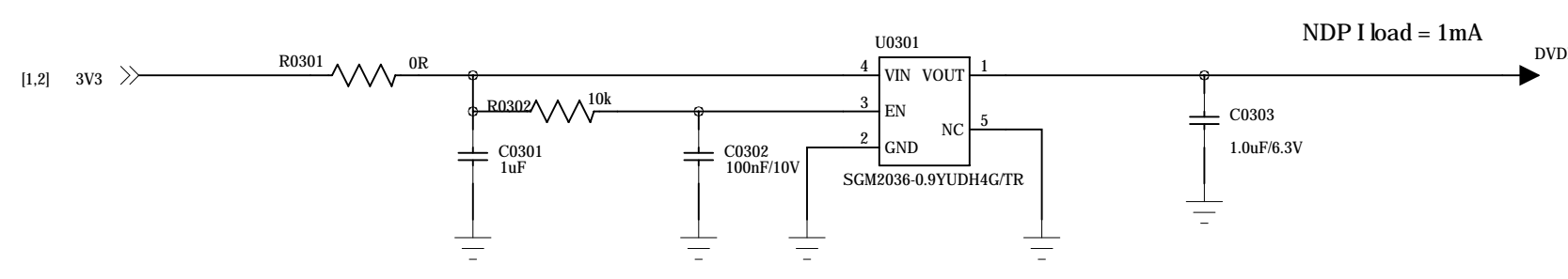
### Empty pin

### RESET\_KEY

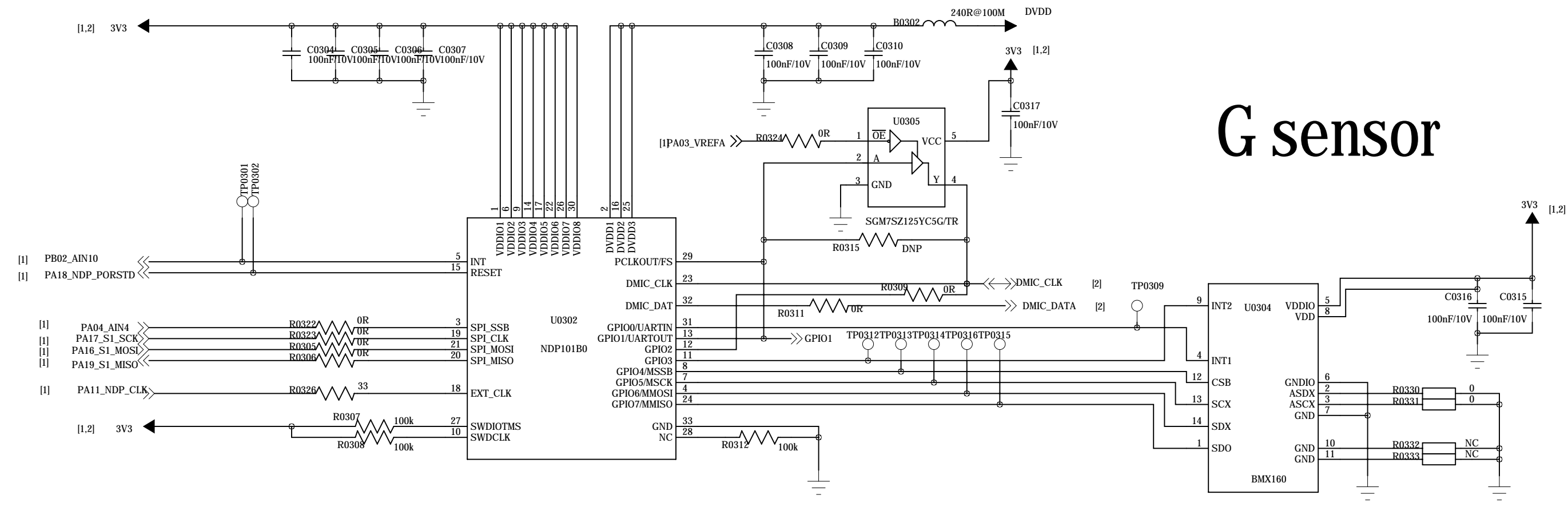


COMPANY:		PROJECT:		Modified Date:	
DRAWN	<Drawn>	DATED	<Drawn Data>	TITLE: 2_ATSAM21	VERSION: P0
CHECKED	<Checked>	DATED	<Check Data>	SHEET: 1	OF 2

### NDP\_DVDD\_LDO



### NDP101



### G sensor

	BMX160	BMI160	BMI120
PIN2(R0330)	Empty	Empty	Empty
PIN3(R0331)	Empty	Empty	Empty
PIN10(R0336)	Empty	0ohm	0ohm
PIN11(R0337)	Empty	0ohm	0ohm

### MIC

